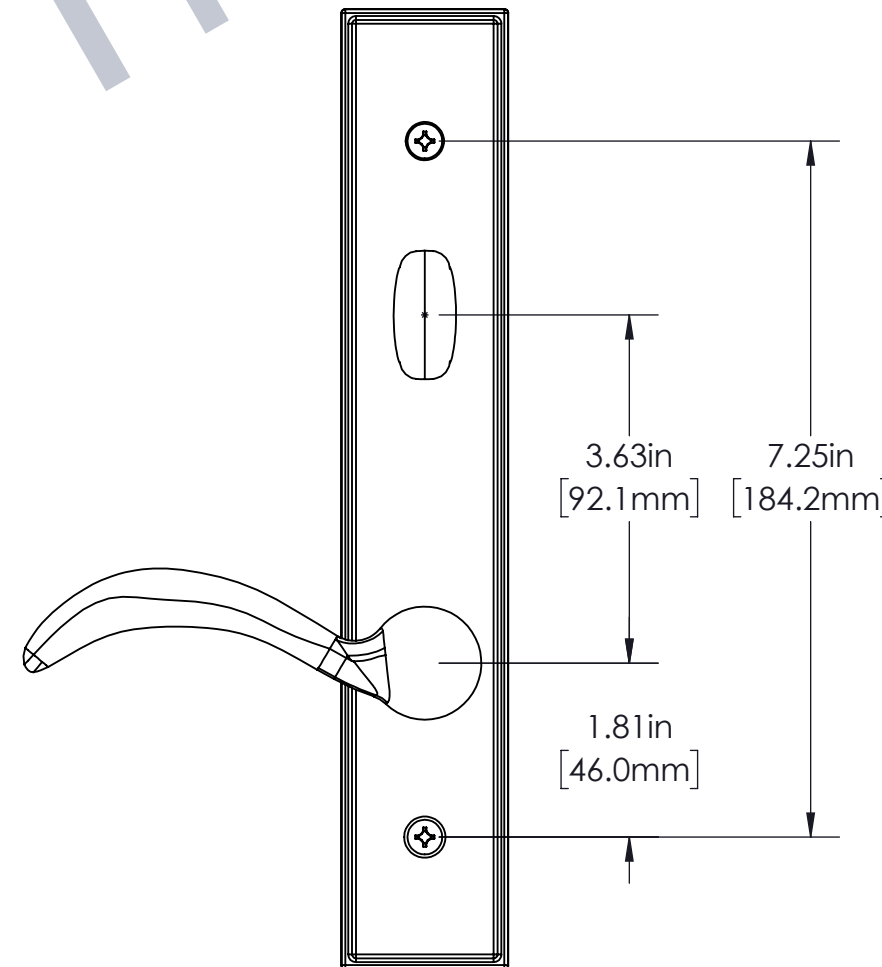
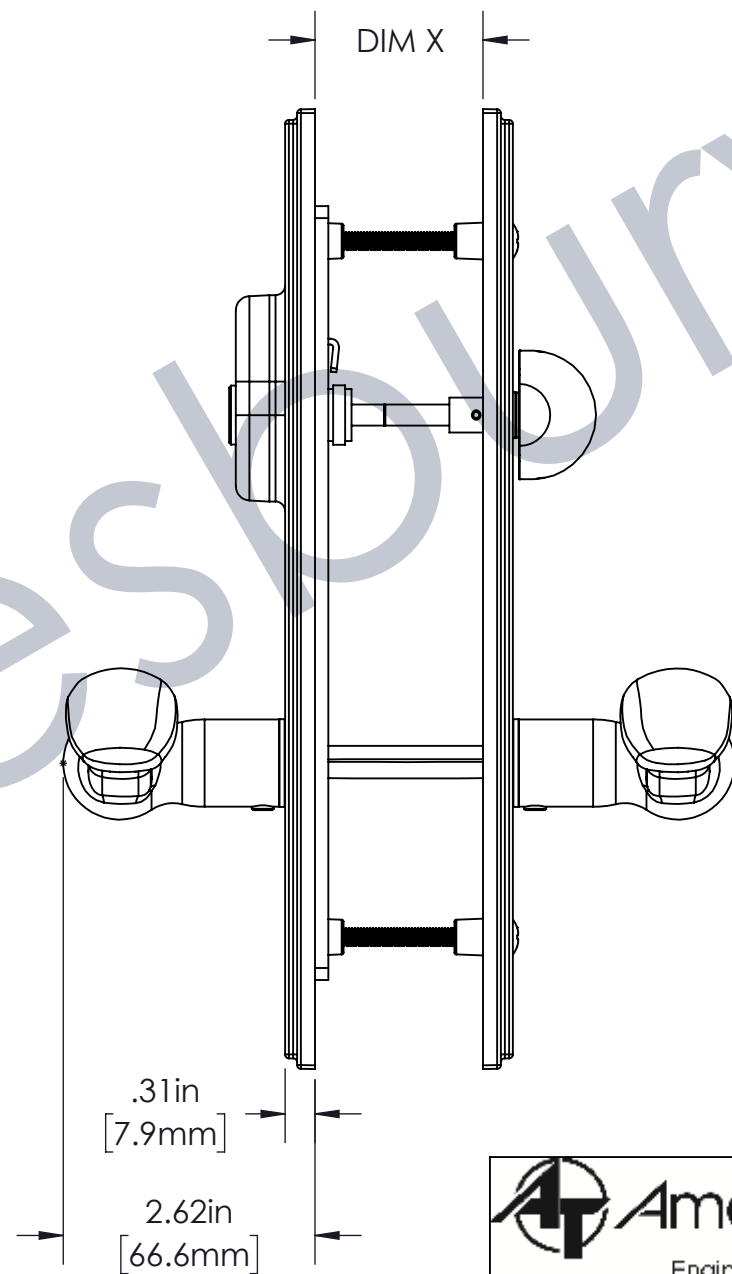
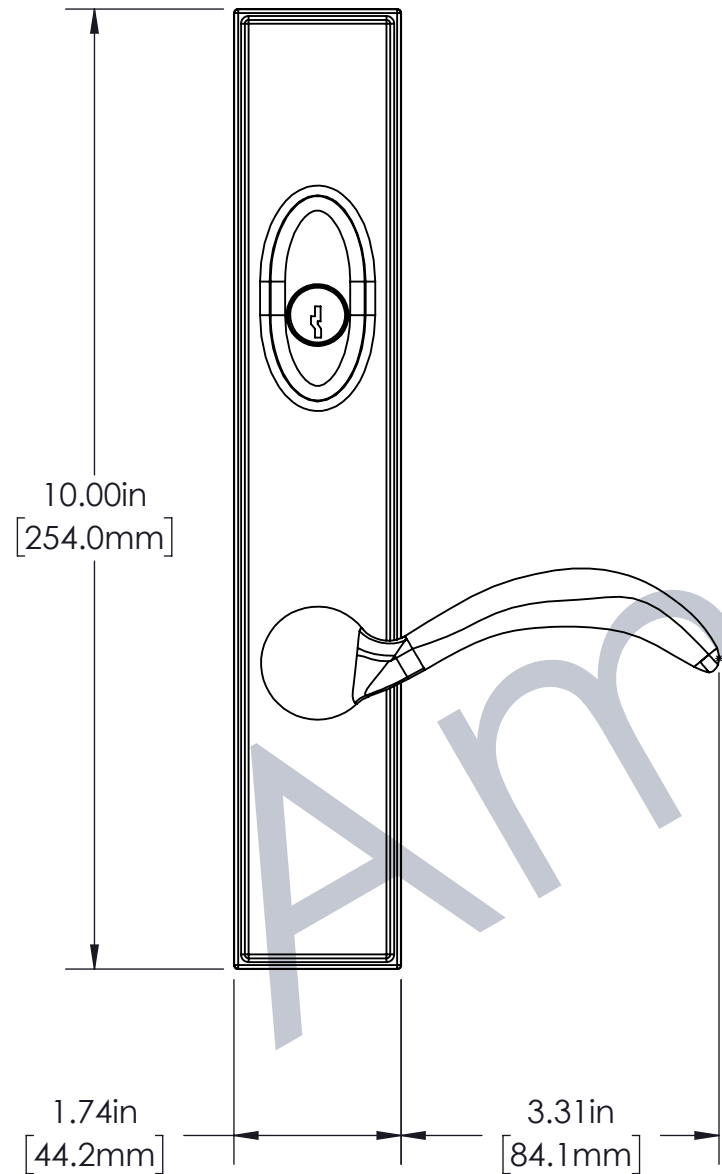


TRIMSET	DESCRIPTION	DIM X
W5210R-K0100	STANDARD	1.7"
W5210R-K0200	STANDARD	2.0"
W5210R-K0300	KEYED ALIKE	1.7"
W5210R-K0400	KEYED ALIKE	2.0"
W5210R-K0500	KEYED ALIKE, PAINTED	1.7"
W5210R-K0600	KEYED ALIKE, PAINTED	2.0"
W5210R-K0700	PAINTED	1.7"
W5210R-K0800	PAINTED	2.0"



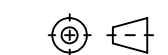
CUSTOMER PAGE



THE INFORMATION CONTAINED IN THIS DRAWING IS CONFIDENTIAL AND PROPRIETARY. THIS DRAWING IS NOT TO BE COPIED OR REPRODUCED IN WHOLE OR IN PART WITHOUT EXPRESS WRITTEN PERMISSION.

INTERPRET PER:
ASME Y14.5M-2009
UNITS: INCH

THIRD ANGLE
PROJECTION



DRAWING TITLE:
FORGINGS KEYED HANDLE SET

SCALE: 1:2

DRAWING #:
W5210R-K

SHEET 1 OF 1